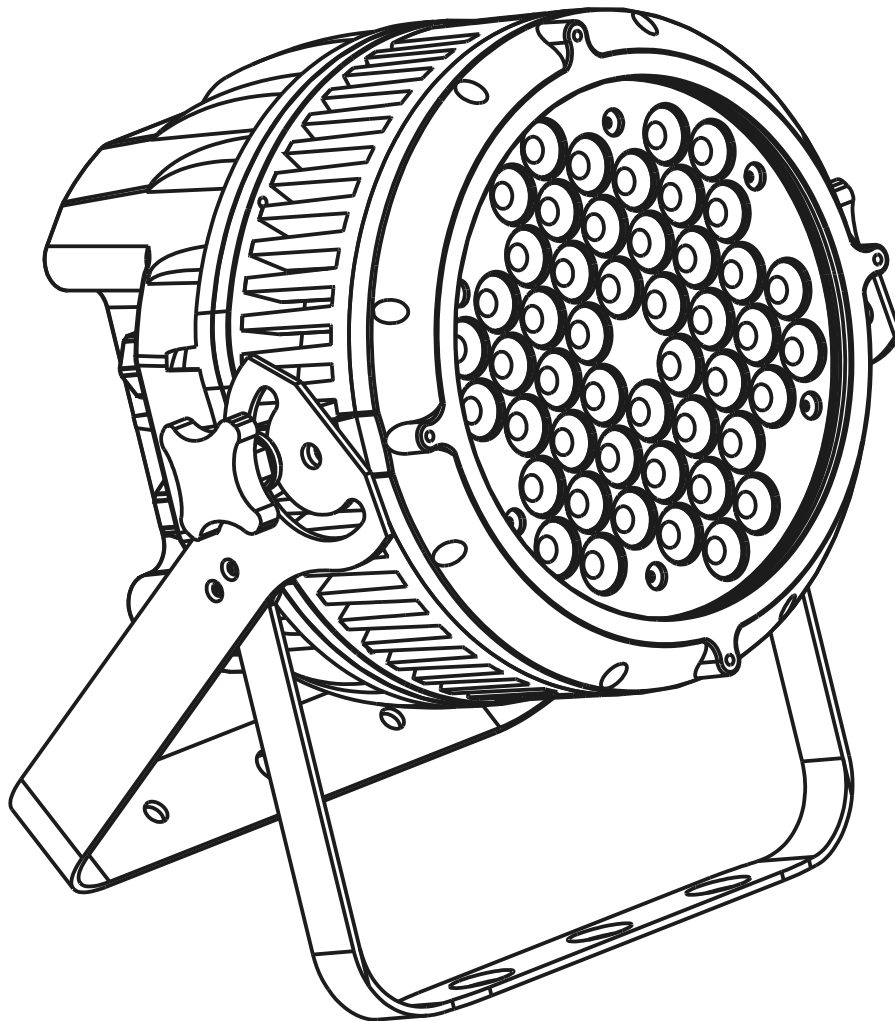


LED MEGA BEAM MK3



BriteQ[®]
LIGHT RESEARCH

**USER
MANUAL
VER 1.0**



EN - DISPOSAL OF THE DEVICE

Dispose of the unit and used batteries in an environment friendly manner according to your country regulations.

FR - DÉCLASSER L'APPAREIL

Débarrassez-vous de l'appareil et des piles usagées de manière écologique
Conformément aux dispositions légales de votre pays.

NL - VERWIJDEREN VAN HET APPARAAT

Verwijder het toestel en de gebruikte batterijen op een milieuvriendelijke manier conform de in uw land geldende voorschriften.

DU - ENTSORGUNG DES GERÄTS

Entsorgen Sie das Gerät und die Batterien auf umweltfreundliche Art und Weise gemäß den Vorschriften Ihres Landes.

ES - DESHACERSE DEL APARATO

Reciclar el aparato y pilas usadas de forma ecologica conforme a las disposiciones legales de su país.

PT - COMO DESFAZER-SE DA UNIDADE

Tente reciclar a unidade e as pilhas usadas respeitando o ambiente e em conformidade com as normas vigentes no seu país.

1 PRODUCT (GENERAL)

1.1 TECHNICAL SPECIFICATIONS

LED MODULE

<i>LED MODULE:</i>	
Voltage	100~250V...50/60Hz
Rated Power	180W
Dimensions	305 x 276 x 230mm
Weight	8.5Kg

1.2 SAFETY WARNING

IMPORTANT

- This product must be installed by a qualified professional.
- Always operate the equipment as described in the user manual.
- A minimum distance of 0.5m must be maintained between the equipment and combustible surface.
- The product must always be placed in a well ventilated area.
- Always make sure that the equipment is installed securely.
- DO NOT stand close to the equipment and stare directly into the LED light source.
- Always disconnect the power supply before attempting and maintenance.
- Always make sure that the supporting structure is solid and can support the combined weight of the products.
- The earth wire must always be connected to the ground.
- Do not touch the power cables if your hands are wet.

ATTENTION



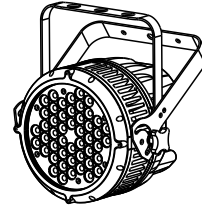
- This product left the place of manufacture in perfect condition. In order to maintain this condition and for safe operation, the user must always follow the instructions and safety warnings described in this user manual.
- Avoid shaking or strong impacts to any part of the equipment.
- Make sure that all parts of the equipment are kept clean and free of dust.
- Always make sure that the power connections are connected correct and secure.
- If there is any malfunction of the equipment, contact your distributor immediately.
- When transferring the product, it is advisable to use the original packaging in which the product left the factory.
- Shields, lenses or ultraviolet screens shall be changed if they have become damaged to such an extent that their effectiveness is impaired.
- The lamp (LED) shall be changed if it has become damaged or thermally deformed.

2 INSTALLATION

2.1 MOUNTING

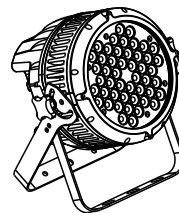
HANGING

The fixture can be mounted in a hanging position using the supporting bracket. The bracket should be secured to the mounting truss or structure using a standard mounting clamp. Please note that when hanging the unit a safety cable should also be used.



UPRIGHT

The fixture can be mounted in an upright or sitting position using the supporting brackets.



2.2 POWER CONNECTIONS

@ 220V: 10 units may be connected in series

@120V: 5 units may be connected in series

Note:

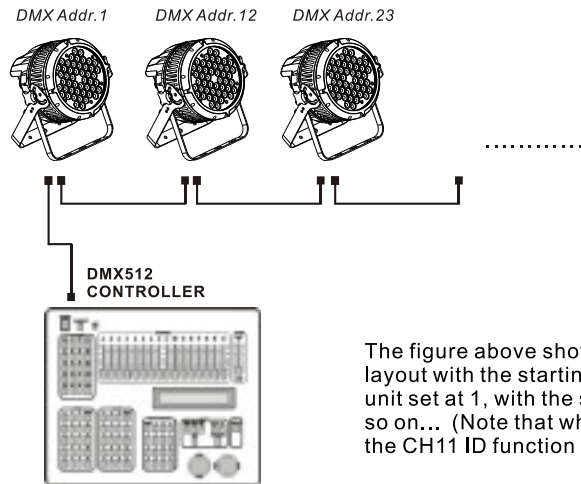
1. As this fixture's DMX signal cable connection is Parallel connection, so if over 32 units to be connected, then a DMX signal amplifier is needed.
2. If the signal cable is over 60m between the DMX512 controller and fixture or between two fixtures, then a DMX signal amplifier is needed as well.

2.3 SETTING UP WITH A DMX512 CONTROLLER

2.3-1 DMX512 ADDRESSING WITHOUT ID ADDRESSING (TOUR MODE)

- Connect the DMX512 controller to the units in series.
- Each unit has 11 DMX channels so the DMX Addresses should increase by increments of 11 (e.g. 1,12,23,34...)
- The ID address has not been set so therefore when using the controller CH11 must be inactive (CH11=0).
- It is also possible to deactivate ID address selecting **[ID OFF]** from the **[Settings]** menu. on the fixture
- Each DMX Address may be used as many times as required.
- Any DMX address in the range from 001 to 512 may be used.

Example:

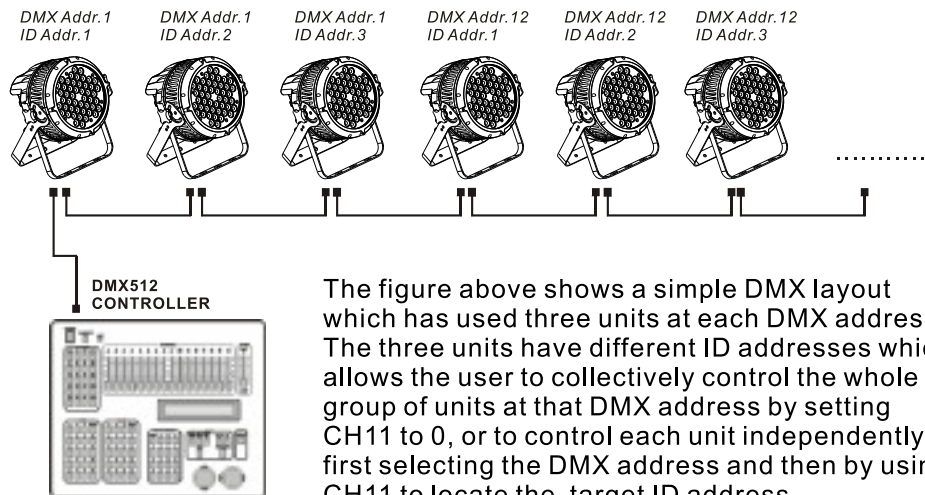


The figure above shows a simple DMX512 layout with the starting address of the first unit set at 1, with the second set at 12 and so on... (Note that when used in this way, the CH11 ID function must be inactive (CH11=0))

2.3-2 DMX512 ADDRESSING WITH ID ADDRESS (TOUR MODE)

- Connect the DMX512 controller to the units in series
- Each unit has 11 DMX channels so the DMX Addresses should increase by increments of 11 (e.g. 1,12,23,34...)
- Each DMX Address may be used as many times as required.
- Any DMX address in the range from 001 to 512 may be used.
- Each DMX address may carry up to 66 separate ID addresses.
- **【ID】** should be set in the menu on each unit in ascending values (i.e. 1,2,3...)
- **【ID On】** should be set in the **【Settings】** menu on each unit.
- ID addresses are accessible from Ch9 on the DMX512 controller.

Example:



The figure above shows a simple DMX layout which has used three units at each DMX address. The three units have different ID addresses which allows the user to collectively control the whole group of units at that DMX address by setting CH11 to 0, or to control each unit independently by first selecting the DMX address and then by using CH11 to locate the target ID address.

3 DISPLAY PANEL OPERATION

3.1 BASIC

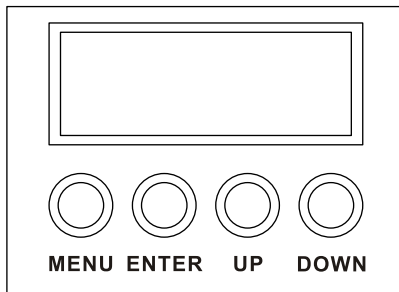
The LED fixture is mounted with a LCD display and 4 control buttons.

【 MENU 】 scroll through the main menu or return to the main menu

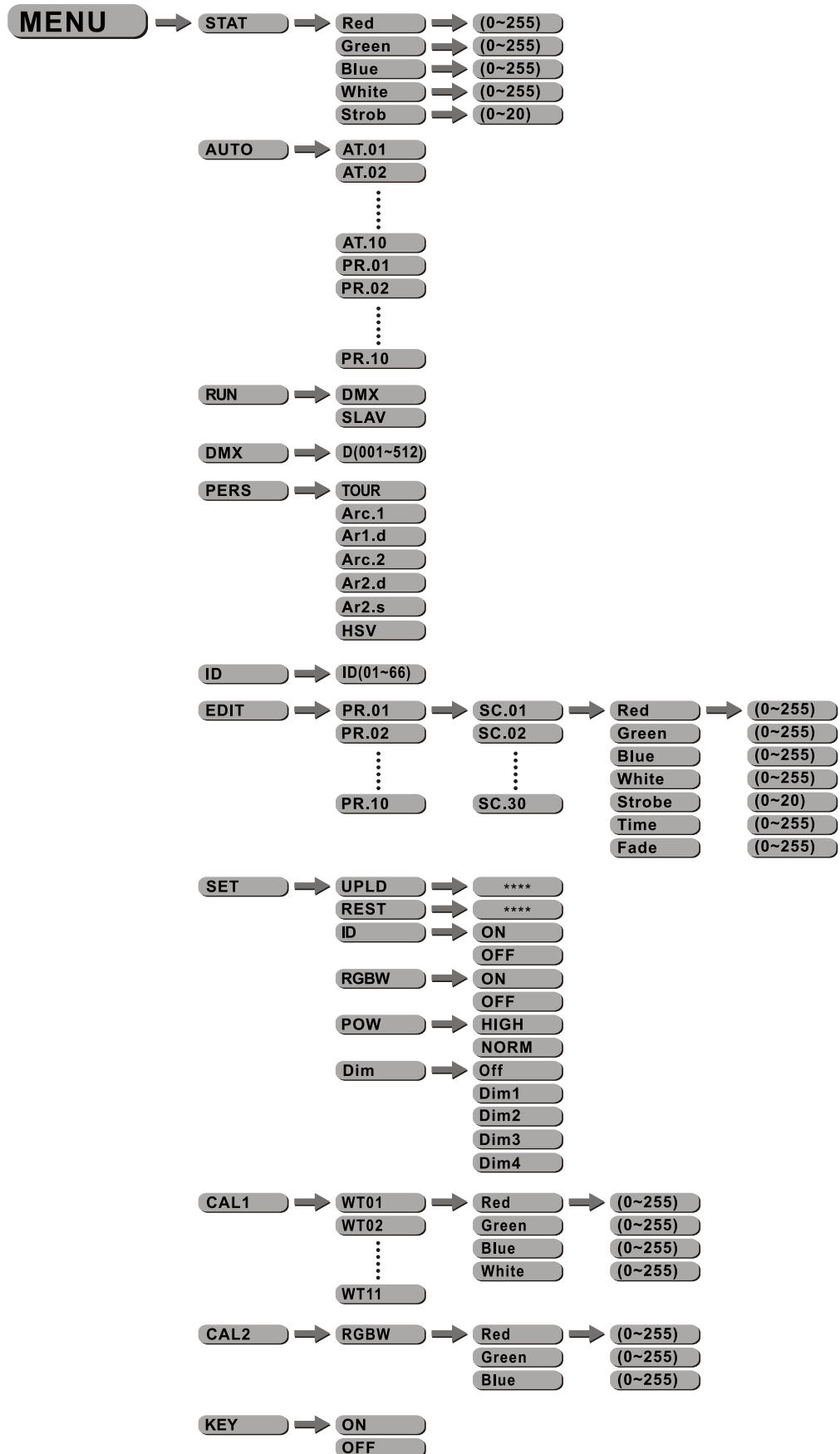
【 ENTER 】 enter the currently selected menu or confirm the current function value

【 UP 】 scroll 'UP' through the menu list or increase the value of the current function

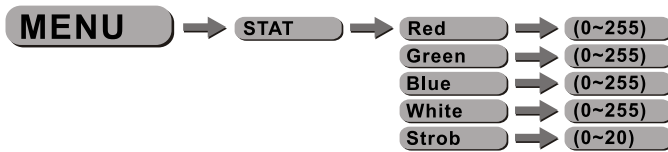
【 DOWN 】 scroll 'DOWN' through the menu list or decrease the value of the current function



3.2 MENU



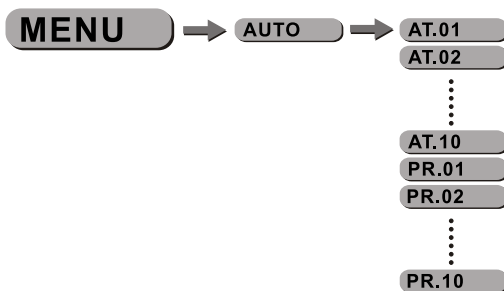
3.3 EDIT STATIC COLOUR



【STATIC COLOUR】

- Combine **【Red】** , **【Green】** , **【Blue】** and **【White】** to create an infinite range of colors (0-255)
- Set the value of the **【Strobe】** (0-20Hz)

3.4 ACTIVATING AUTO PROGRAMS



【AUTO】

- Select the target **【AUTO】** program and press **【ENTER】** .
- Programs **【AT.01】** to **【AT.10】** are fully pre-programmed and will not be altered by changes in **【EDIT】** mode.
- Programs **【PR.01】** to **【PR.10】** are fully pre-programmed and can be edited in **【EDIT】** mode.

3.5 RUN MODE



【RUN】

- Enter the **【RUN】** mode to set working mode.
- **【DMX】** mode is for using the DMX512 controller to control the fixtures.
- **【SLAV】** mode is for Master -- Slave operation.

3.6 DMX512 SETTINGS

MENU → DMX → D(001~512)

【DMX】

- Enter the **【DMX】** mode to set the DMX ADDRESS.

3.7 PERSONALITY

MENU → PERS → TOUR
Arc.1
Ar1.d
Arc.2
Ar2.d
Ar2.s
HSV

【PERSONALITY】

- Enter the **【PERSONALITY】** mode to select DMX mode: **【TOUR】** , **【Arc.1】** , **【Ar1.d】** , **【Arc.2】** , **【Ar2.d】** , **【Ar2.s】** or **【HSV】** .

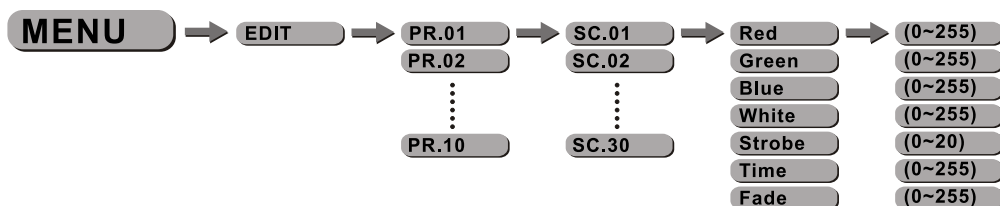
3.8 ID ADDRESS

MENU → ID → ID(01~66)

【ID】

- Enter the **【ID】** mode to set the ID ADDRESS.

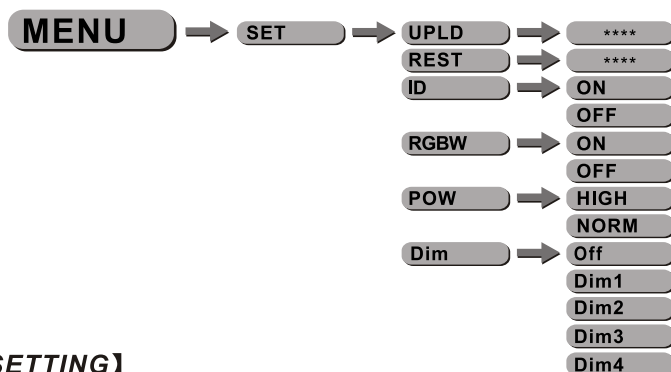
3.9 EDITING CUSTOM PROGRAMS



【EDIT CUSTOM】

- Enter the **【EDIT】** mode to edit the custom programs **【PR.01】** to **【PR.10】**.
- Each custom program has 30 steps that can be edited.
- Each step allows the creation of a scene using RED **【Red】**, GREEN **【Green】**, BLUE **【Blue】**, WHITE **【White】**, STROBE **【Strobe】**, TIME **【Time】** & FADE **【Fade】**.

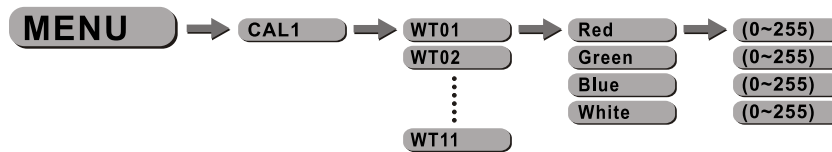
3.10 SPECIAL SETTINGS



【SETTING】

- Select **【UPLD】** to upload the custom programs from the current MASTER unit to the SLAVE units.
- In order to activate the upload function the password must be entered.
- Password is the same as the main access password.
- When uploading the MASTER and SLAVE units will display YELLOW.
- If an error occurs when uploading the MASTER and/or SLAVE units will display RED.
- On successful uploading of the custom programs the MASTER and SLAVE units will display GREEN.
- In order to reset custom modes to default values select **【REST】**.
- Enter **【ID】** in order to allow/disallow ID address function from the DMX512 controller.
- When **【RGBW】** -- RGB TO WHITE is set to **【YES】**, on RGB = 255,255,255, the color is perfect white as the actual RGB values are adjusted to make white. When it is set to **【NO】**, on RGB = 255,255,255, the RGB values are not adjusted and the output is most powerful. The **【RGB W】**'s parameter can be adjusted in **【CAL2】**.
- Enter **【POW】** to choose the operation power mode **【NORM】** or **【HIGH】**, when it is normal mode, the power consumption is about 90W, while under high mode, it is about 150W.
- Enter **【Dim】** to select dimmer mode and dimmer speed. When DIMMER is set to **【Off】**, then RGBW and MASTER DIMMER are linear. The Dim 1/2/3/4 are speed modes of the non linear dimmer, **【Dim1】** is the faster, while **【Dim4】** is the slowest. The factory default setting is **【Dim4】**.

3.11 WHITES SETTING



【CAL1】

- Enter the **【CAL1】** to select white color of different color temperature.
- There are 11 pre-programmed White colors can be edited by using **【Red】**, **【Green】**, **【Blue】** & **【White】**.

3.12 WHITE BALANCE



【CAL2】

- Enter the **【CAL2】** to adjust the RGB parameter to make different whites.
- When the new setting is activated, the DMX controller choose RGB = 255,255,255, the white color will be made by the actual RGB values on the **【CAL2】**.

3.13 A CTIVATE THE PASSWORD



【KEY】

- Enter the **【KEY】** mode to select whether the access password is on or off.
- When the fixture is set as PASS **【ON】**, after 30 seconds or turn on the fixture next time, the fixture will need an access password to enter the display menu control.

Note: The factory access password is **【UP】** + **【DOWN】** + **【UP】** + **【DOWN】**, then press **【ENTER】** to confirm the access.

4 USING A DMX512 CONTROLLER

4.2 CHANNEL ASSIGNMENT

- Note: This product have three DMX512 channel configuration: **【TOUR】**, **【Arc.1】**, **【Ar1.d】**, **【Arc.2】**, **【Ar2.d】**, **【Ar2.s】** and **【HSV】**

TOUR

CHANNEL	VALUE	FUNCTION
1	0 ↔ 255	MASTER DIMMER
2	0 ↔ 255	RED (or STEP TIME when CUS.01-CUS.10 in CH8 is activated)
3	0 ↔ 255	GREEN (or FADE TIME when CUS.01-CUS.10 in CH8 is activated)
4	0 ↔ 255	BLUE
5	0 ↔ 255	WHITE
6	0 ↔ 5	COLOR MACRO NO FUNCTION
	6 ↔ 20	HIGH POWER(only when in NORMAL POWER mode)
	21 ↔ 30	NO FUNCTION
	31 ↔ 50	RED 100%/GREEN UP/BLUE 0%
	51 ↔ 70	RED DOWN/GREEN 100%/BLUE 0%
	71 ↔ 90	RED 0%/GREEN100%/BLUE UP
	91 ↔ 110	RED 0%/GREENDOWN/BLUE 100%
	111 ↔ 130	RED UP/GREEN 0%/BLUE 100%
	131 ↔ 150	RED 100%/GREEN 0%/BLUE DOWN
	151 ↔ 170	RED 100%/GREEN UP/BLUE UP
	171 ↔ 190	RED DOWN/GREEN DOWN/BLUE 100%
	191 ↔ 200	RED100%/GREEN100%/BLUE100%/WHITE100%
	201 ↔ 205	WHITE 1: 3200K
	206 ↔ 210	WHITE 2: 3400K
	211 ↔ 215	WHITE 3: 4200K
	216 ↔ 220	WHITE 4: 4900K
221 ↔ 225	WHITE 5: 5600K	
226 ↔ 230	WHITE 6: 5900K	

CHANNEL	VALUE	FUNCTION
6	231↔235	WHITE 7: 6500K
	236↔240	WHITE 8: 7200K
	241↔245	WHITE 9: 8000K
	246↔250	WHITE 10: 8500K
	251↔255	WHITE 11: 10000K
7	0↔10	STROBE NO FUNCTION
	11↔255	1~20Hz
8	0↔20	AUTO NO FUNCTION
	21↔30	AUTO 1
	31↔40	AUTO 2
	41↔50	AUTO 3
	51↔60	AUTO 4
	61↔70	AUTO 5
	71↔80	AUTO 6
	81↔90	AUTO 7
	91↔100	AUTO 8
	101↔110	AUTO 9
	111↔120	AUTO 10
	121↔130	CUSTOM 1
	131↔140	CUSTOM 2
	141↔150	CUSTOM 3
	151↔160	CUSTOM 4
	161↔170	CUSTOM 5
	171↔180	CUSTOM 6
	181↔190	CUSTOM 7
	191↔200	CUSTOM 8
201↔210	CUSTOM 9	
211↔220	CUSTOM 10	
221↔255	NO FUNCTION	
9	0↔255	AUTO SPEED ADJUSTMENT When using CH8,AUTO01-AUTO10, this function activated
10	0↔9	DIMMER SPEED PRESET DIMMER SPEED FROM DISPLAY MENU
	10↔29	LINEAR DIMMER
	30↔69	NON LINEAR DIMMER 1 (fastest)
	70↔129	NON LINEAR DIMMER 2
	130↔189	NON LINEAR DIMMER 3
	190↔255	NON LINEAR DIMMER 4 (slowest)
11	0↔9	ID ADDRESS ID1~ID66
	10↔19	ID1
	20↔29	ID2
	30↔39	ID3
	40↔49	ID4
	50↔59	ID5

CHANNEL	VALUE	FUNCTION	
11	60 ↔ 69	ID6	
	70 ↔ 79	ID7	
	80 ↔ 89	ID8	
	90 ↔ 99	ID9	
	100 ↔ 109	ID10	
	110 ↔ 119	ID11	
	120 ↔ 129	ID12	
	130 ↔ 139	ID13	
	140 ↔ 149	ID14	
	150 ↔ 159	ID15	
	160 ↔ 169	ID16	
	170 ↔ 179	ID17	
	180 ↔ 189	ID18	
	190 ↔ 199	ID19	
	200 ↔ 209	ID20	
	210	ID21	
	211	ID22	
	• • • • •	• • • • •	
	254	ID65	
	255	ID66	

Arc.1

CHANNEL	VALUE	FUNCTION
1	0 ↔ 255	RED
2	0 ↔ 255	GREEN
3	0 ↔ 255	BLUE

Ar1.d

CHANNEL	VALUE	FUNCTION
1	0 ↔ 255	MASTER DIMMER
2	0 ↔ 255	RED
3	0 ↔ 255	GREEN
4	0 ↔ 255	BLUE

Arc.2

CHANNEL	VALUE	FUNCTION
1	0 ↔ 255	RED
2	0 ↔ 255	GREEN
3	0 ↔ 255	BLUE
4	0 ↔ 255	WHITE

Ar2.d

CHANNEL	VALUE	FUNCTION
1	0 ↔ 255	MASTER DIMMER
2	0 ↔ 255	RED
3	0 ↔ 255	GREEN
4	0 ↔ 255	BLUE
5	0 ↔ 255	WHITE

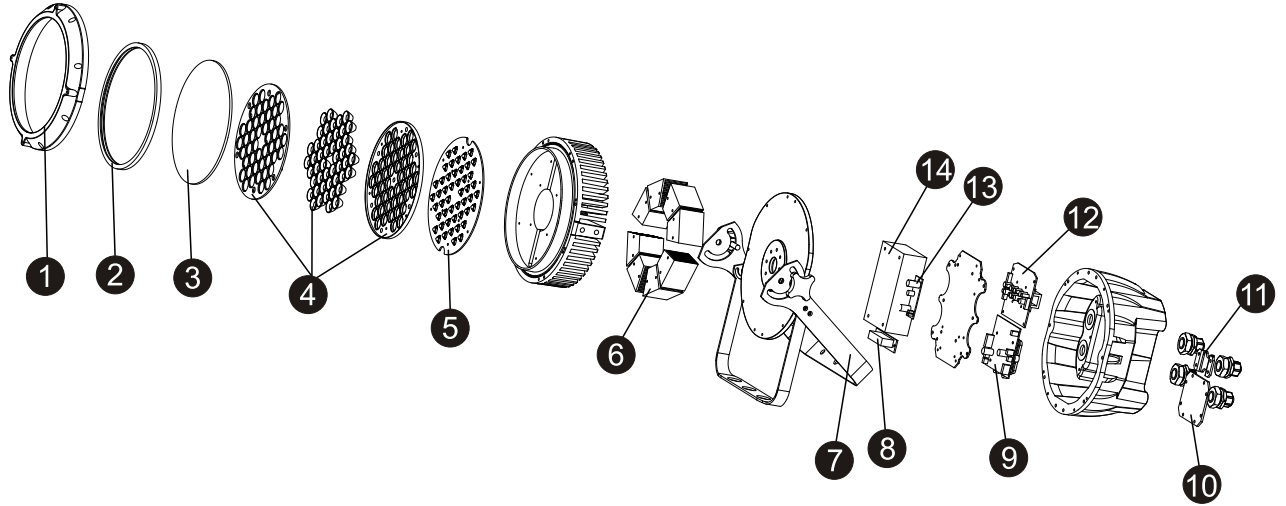
Ar2.s

CHANNEL	VALUE	FUNCTION
1	0 ↔ 255	MASTER DIMMER
2	0 ↔ 255	RED
3	0 ↔ 255	GREEN
4	0 ↔ 255	BLUE
5	0 ↔ 255	WHITE
6	0 ↔ 255	STROBE

HSV

CHANNEL	VALUE	FUNCTION
1	0 ↔ 255	HUE(0~100%)
2	0 ↔ 255	SATURATION(0~100%)
3	0 ↔ 255	VALUE(0~100%)

5.2 MAINTENANCE



No	ITEM
1	Front cover
2	Rubber seal
3	Clear glass
4	Lens completed set
5	LED PCB
6	Heat sink
7	Bracket
8	Power connection board
9	Display PCB
10	Display protection metal plate
11	Safety chain board
12	Driver PCB
13	POWER PCB (5V)
14	Power supply (24V)I



MAILING LIST

EN: Subscribe today to our mailing list for the latest product news!

FR: Inscrivez-vous à notre liste de distribution si vous souhaitez suivre l'actualité de nos produits!

NL: Abonneer je vandaag nog op onze mailinglijst en ontvang ons laatste product nieuws!

DE: Abonnieren Sie unseren Newsletter und erhalten Sie aktuelle Produktinformationen!

ES: Suscribete hoy a nuestra lista de correo para recibir las últimas noticias!

WWW.BRITEQ-LIGHTING.COM

Copyright © 2016 by BEGLEC NV

t Hofveld 2C ~ B1702 Groot-Bijgaarden ~ Belgium

Reproduction or publication of the content in any manner, without express permission of the publisher, is prohibited.